

T-Mobile

Northeast, LLC

UNIVERSITY OF DELAWARE WATER TANK 1PHCL13A ZONING DRAWINGS

APPLICANT/OWNER:

T-Mobile
Northeast, LLC

PREPARED BY:

velocitel, llc
complete wireless solutions

200 NORTH WARNER ROAD
SUITE #215
KING OF PRUSSIA, PA 19406
610-992-4101 (MAIN)
610-992-4109 (FAX)

THIS DOCUMENT IS THE CREATION, DESIGN, PROPERTY AND COPYRIGHTED WORK OF T-MOBILE NORTHEAST, LLC. ANY DUPLICATION OR USE WITHOUT EXPRESS WRITTEN CONSENT IS PROHIBITED.

SEAL



IT IS A VIOLATION OF LAW FOR ANY PERSON UNLESS THEY ARE ACTING UNDER THE DIRECTION OF FDH VELOCITEL TO ALTER THIS DOCUMENT, UNLESS EXPLICITLY AGREED TO BY FDH VELOCITEL IN WRITING. THE ENGINEER DISCLAIMS ALL LIABILITY ASSOCIATED WITH THE REUSE, ALTERATION OR MODIFICATION OF THE CONTENTS HEREIN.

REVISIONS

REV	DATE	DESCRIPTION	BY
A	06/21/18	ISSUED FOR ZONING	DMT
0			
1			
2			
3			
4			
5			
6			
7			
8			

PROJECT LOCATION

1PHCL13A
UNIVERSITY OF DELAWARE WATER TANK
304 RESEARCH BOULEVARD
NEWARK, DE 19713

DRAWN BY: DMT

CHECKED BY: HJ

DATE: JUNE 21, 2018

VELOCITEL #:

SITE NO. : 1PHCL13A

DRAWING DESCRIPTION:

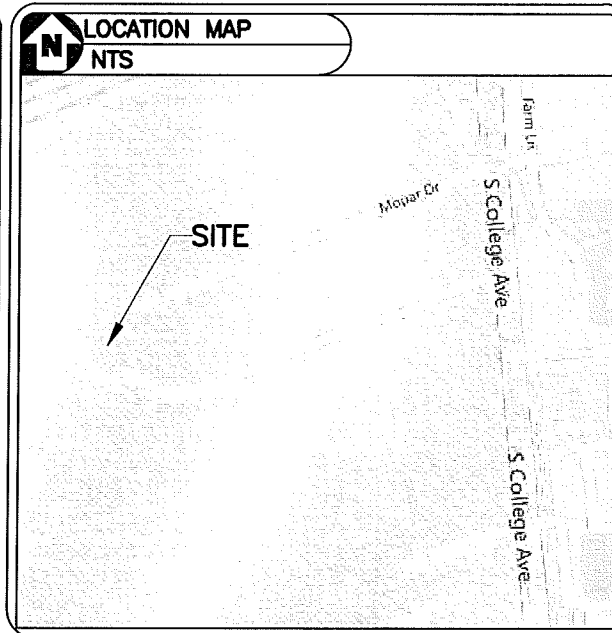
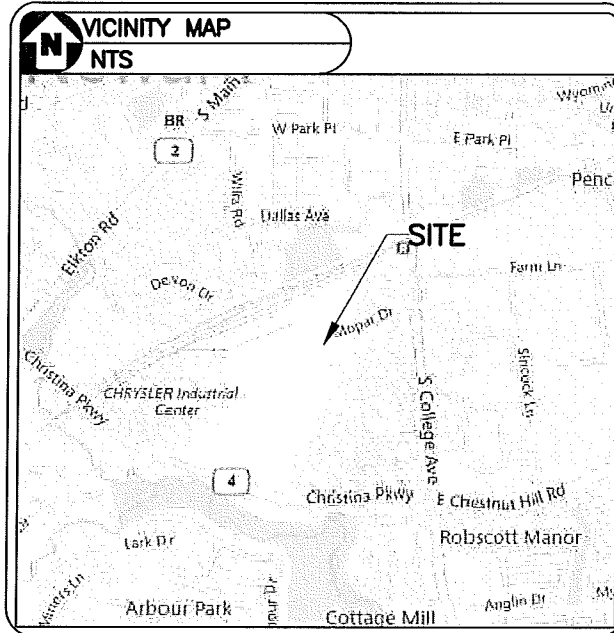
COVER SHEET

DRAWING NUMBER:

T1

TABLE OF CONTENTS

DWG. #	DRAWING TITLE	REV #	REV DATE
T1	COVER SHEET	A	06/21/18
C1	SITE PLAN	A	06/21/18
C2	COMPOUND PLAN	A	06/21/18
C3	ELEVATION	A	06/21/18
C4	EQUIPMENT AND ANTENNA DETAILS	A	06/21/18



SITE DIRECTIONS

FROM T-MOBILE OFFICE:

DEPART VIRGINIA DR TOWARD CAMP HILL RD. TAKE RAMP RIGHT FOR I-276 WEST. AT EXIT MID-COUNTY INTERCHANGE, TAKE RAMP FOR I-476 SOUTH. TAKE RAMP RIGHT FOR I-95 SOUTH. AT EXIT 11, TAKE RAMP RIGHT FOR I-495 SOUTH. KEEP STRAIGHT ONTO I-95 S / US-202 S. AT EXIT 1B, TAKE RAMP RIGHT FOR SR-896 NORTH. ARRIVE AT SR-896 S / S COLLEGE AVE. SITE IS ON THE LEFT.

SITE INFORMATION

SITE NAME: UNIVERSITY OF DELAWARE WATER TANK
 SITE ADDRESS: 304 RESEARCH BOULEVARD
 NEWARK, DE 19713
 JURISDICTION: NEWARK CITY, NEWCASTLE COUNTY
 APN #: 18-039.00-002
 ZONING: STC - SCIENCE AND TECHNOLOGY CAMPUS
 SITE COORDINATES: N39° 39' 53.85"
 W75° 45' 23.95"
 BUILDING OWNER: 1743 HOLDINGS
 220 HULLIHEN HALL
 NEWARK, DE 19716
 APPLICANT: T-MOBILE NORTHEAST LLC
 510 VIRGINIA DRIVE
 FORT WASHINGTON, PA 19034
 ENGINEER: VELOCITEL, LLC
 200 N WARNER ROAD, SUITE 215
 KING OF PRUSSIA, PA. 19406
 CONTACT: MICHAEL PATTEN
 (610) 306-3005

CURRENT CODES ADOPTED BY THE CITY OF NEWARK:

2012 INTERNATIONAL BUILDING CODE
 2012 INTERNATIONAL FIRE CODE
 2012 INTERNATIONAL RESIDENTIAL CODE
 2012 INTERNATIONAL PLUMBING CODE
 2012 INTERNATIONAL MECHANICAL CODE
 2012 INTERNATIONAL FUEL GAS CODE
 2009 INTERNATIONAL PROPERTY MAINTENANCE CODE
 DELAWARE STATE FIRE PREVENTION CODE
 NFPA FIRE PREVENTION CODES

ZONING BULK TABLE

STC (SCIENCE & TECHNOLOGY CAMPUS DISTRICT)	REQUIRED	EXISTING	PROPOSED
MIN SETBACK @ STREET	50 FT	±282 FT	NO CHANGE
MAX BUILDING HEIGHT	150 FT (10 STORIES)	±130 FT	NO CHANGE
MIN. TOWER SETBACK	3X OF TOWER HEIGHT/ (318 FT)	±870 FT	±318'
REQUIRED FENCE HEIGHT	10 FT	N/A	10 FT

APPLICANT/OWNER:

T-Mobile
Northeast, LLC

PREPARED BY:

velocitel, llc
complete wireless solutions

200 NORTH WARNER ROAD
SUITE #215
KING OF PRUSSIA, PA 19406
610-992-4101 (MAIN)
610-992-4109 (FAX)

THIS DOCUMENT IS THE CREATION, DESIGN, PROPERTY AND COPYRIGHTED WORK OF T-MOBILE NORTHEAST, LLC. ANY DUPLICATION OR USE WITHOUT EXPRESS WRITTEN CONSENT IS PROHIBITED.

SEAL



6/22/18

IT IS A VIOLATION OF LAW FOR ANY PERSON UNLESS THEY ARE ACTING UNDER THE DIRECTION OF FDH VELOCITEL TO ALTER THIS DOCUMENT. UNLESS EXPLICITLY AGREED TO BY FDH VELOCITEL IN WRITING, THE ENGINEER DISCLAIMS ALL LIABILITY ASSOCIATED WITH THE REUSE, ALTERATION OR MODIFICATION OF THE CONTENTS HEREIN.

REVISIONS

REV	DATE	DESCRIPTION	BY
A	06/21/18	ISSUED FOR ZONING	DMT
0			
1			
2			
3			
4			
5			
6			
7			
8			

PROJECT LOCATION

1PHCL13A
UNIVERSITY OF DELAWARE WATER TANK
304 RESEARCH BOULEVARD
NEWARK, DE 19713

DRAWN BY: DMT

CHECKED BY: HJ

DATE: JUNE 21, 2018

VELOCITEL #:

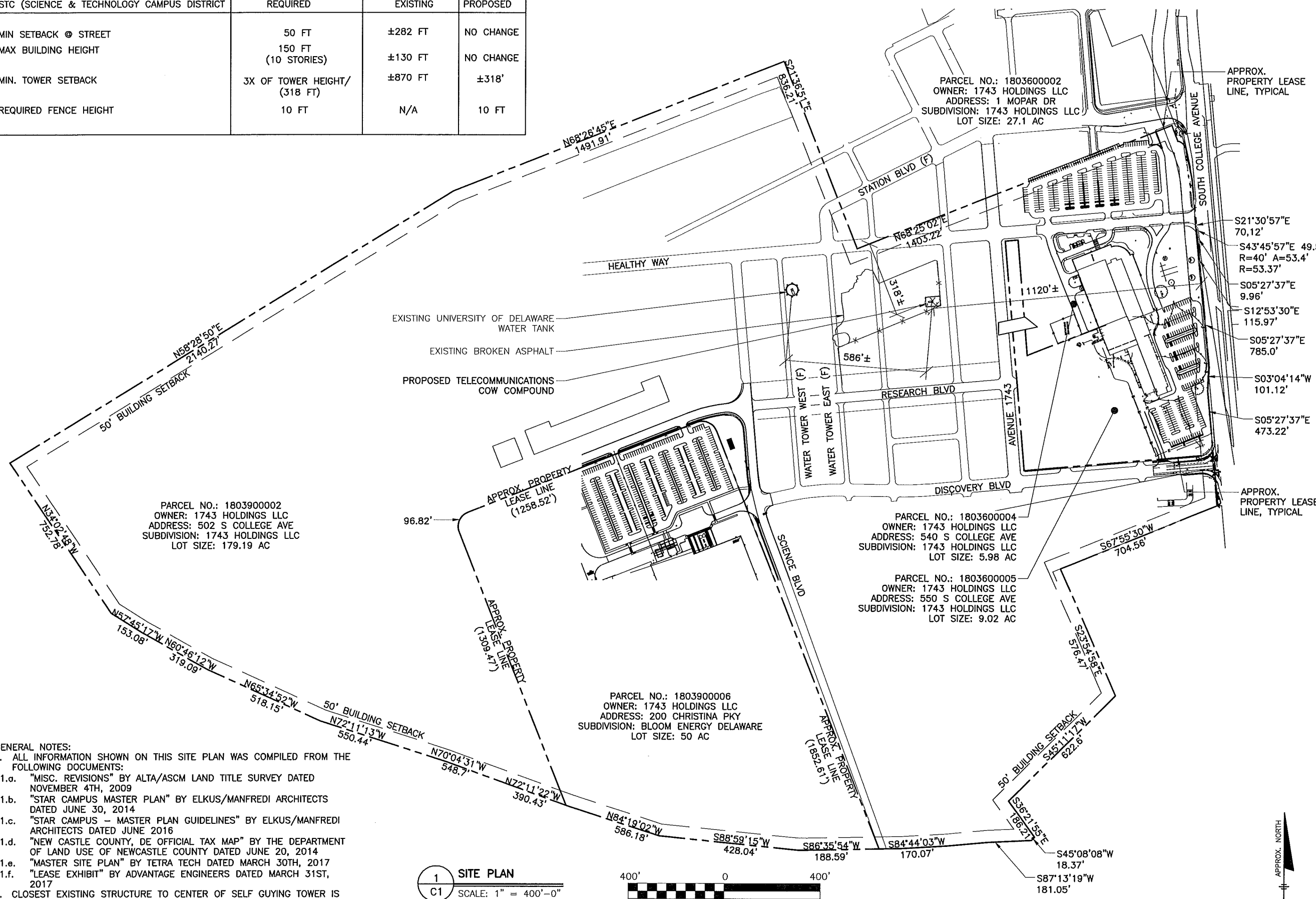
SITE NO. : 1PHCL13A

DRAWING DESCRIPTION:

SITE PLAN

DRAWING NUMBER:

C1



- GENERAL NOTES:
- ALL INFORMATION SHOWN ON THIS SITE PLAN WAS COMPILED FROM THE FOLLOWING DOCUMENTS:
 - "MISC. REVISIONS" BY ALTA/ASCM LAND TITLE SURVEY DATED NOVEMBER 4TH, 2009
 - "STAR CAMPUS MASTER PLAN" BY ELKUS/MANFREDI ARCHITECTS DATED JUNE 30, 2014
 - "STAR CAMPUS - MASTER PLAN GUIDELINES" BY ELKUS/MANFREDI ARCHITECTS DATED JUNE 2016
 - "NEW CASTLE COUNTY, DE OFFICIAL TAX MAP" BY THE DEPARTMENT OF LAND USE OF NEWCASTLE COUNTY DATED JUNE 20, 2014
 - "MASTER SITE PLAN" BY TETRA TECH DATED MARCH 30TH, 2017
 - "LEASE EXHIBIT" BY ADVANTAGE ENGINEERS DATED MARCH 31ST, 2017
 - CLOSEST EXISTING STRUCTURE TO CENTER OF SELF GUYING TOWER IS APPROXIMATELY 586'-0"±.

1 SITE PLAN
SCALE: 1" = 400'-0"



APPLICANT/OWNER:

T-Mobile
Northeast, LLC

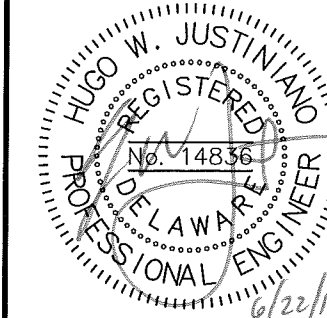
PREPARED BY:

velocitel, llc
complete wireless solutions

200 NORTH WARNER ROAD
SUITE #215
KING OF PRUSSIA, PA 19406
610-992-4101 (MAIN)
610-992-4109 (FAX)

THIS DOCUMENT IS THE CREATION, DESIGN, PROPERTY AND
COPYRIGHTED WORK OF T-MOBILE NORTHEAST, LLC. ANY
DUPLICATION OR USE WITHOUT EXPRESS WRITTEN CONSENT IS
PROHIBITED.

SEAL



IT IS A VIOLATION OF LAW FOR ANY PERSON UNLESS THEY
ARE ACTING UNDER THE DIRECTION OF FDH VELOCITEL TO
ALTER THIS DOCUMENT, UNLESS EXPLICITLY AGREED TO BY
FDH VELOCITEL IN WRITING. THE ENGINEER DISCLAIMS ALL
LIABILITY ASSOCIATED WITH THE REUSE, ALTERATION OR
MODIFICATION OF THE CONTENTS HEREIN.

REVISIONS

REV	DATE	DESCRIPTION	BY
A	06/21/18	ISSUED FOR ZONING	DMT
0			
1			
2			
3			
4			
5			
6			
7			
8			

PROJECT LOCATION

1PHCL13A
UNIVERSITY OF DELAWARE WATER TANK
304 RESEARCH BOULEVARD
NEWARK, DE 19713

DRAWN BY: DMT

CHECKED BY: HJ

DATE: JUNE 21, 2018

VELOCITEL #:

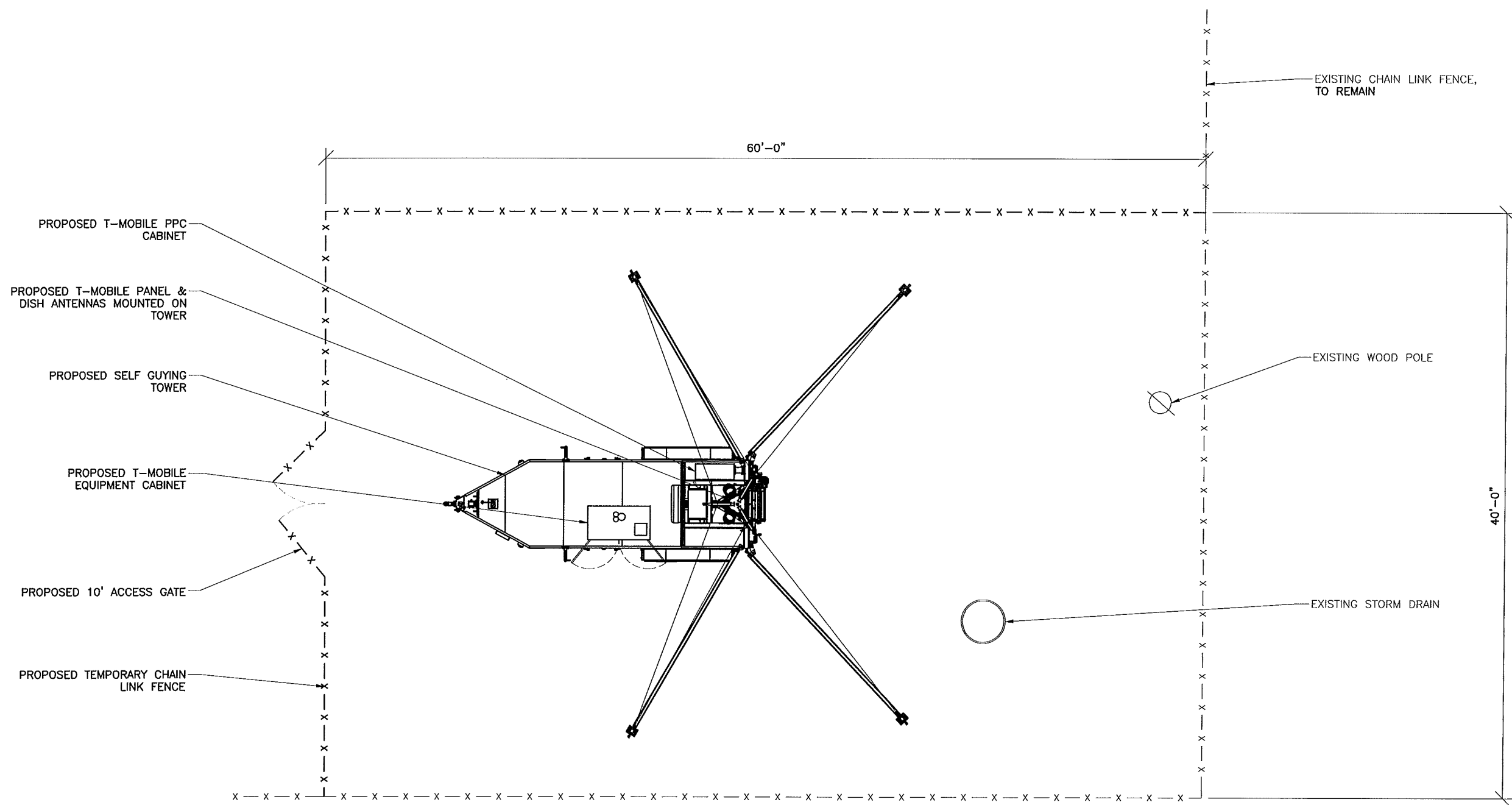
SITE NO. : 1PHCL13A

DRAWING DESCRIPTION:

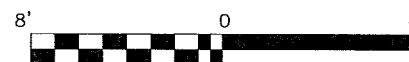
COMPOUND PLAN

DRAWING NUMBER:

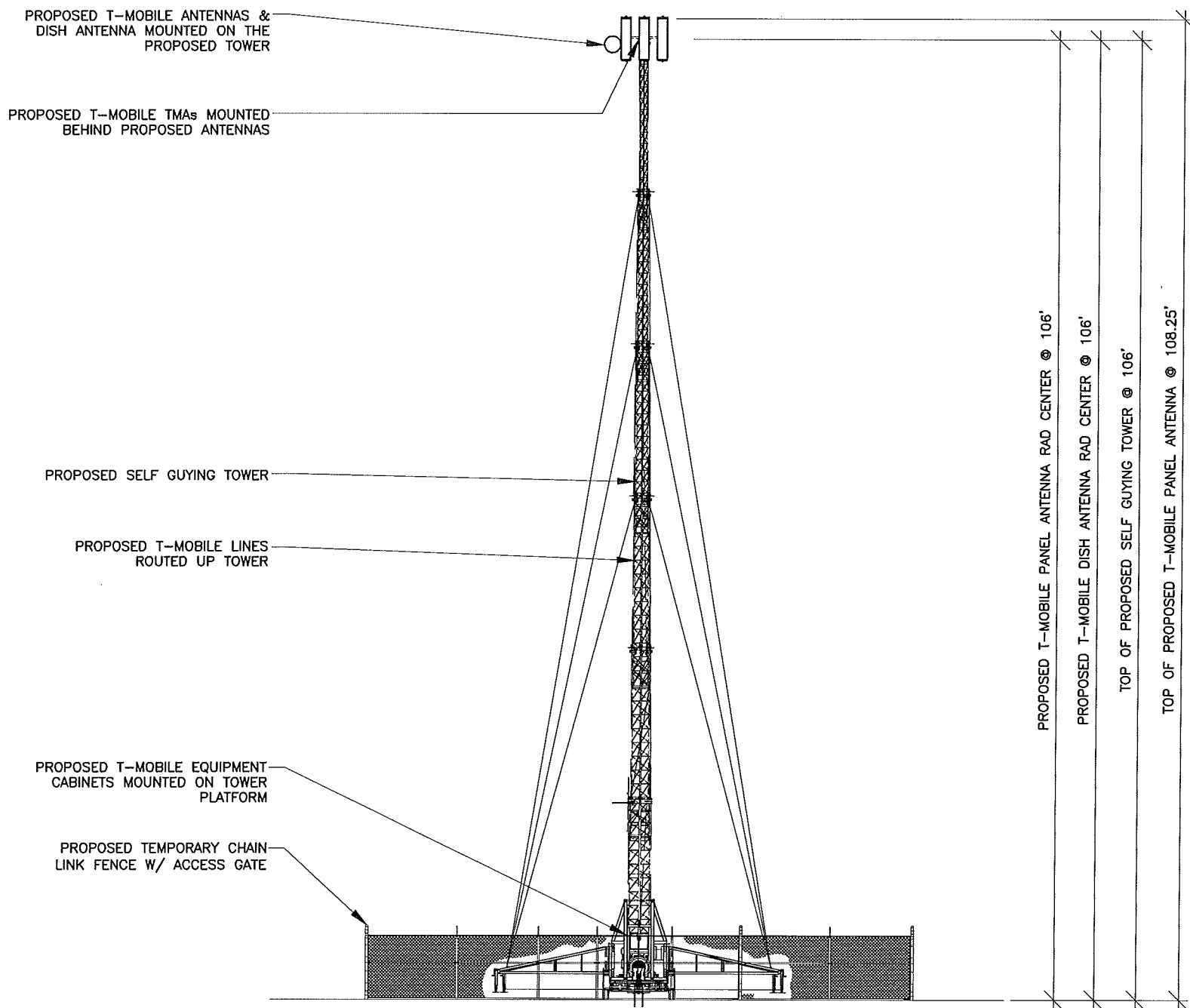
C2



1 COMPOUND PLAN
C2 SCALE: 1/8" = 1'-0"



A STRUCTURAL ANALYSIS OF THIS TOWER/ANTENNA MOUNT WAS NOT PERFORMED BY VELOCITEL, LLC. CONTRACTOR SHALL REFER TO STRUCTURAL ANALYSIS (IF APPLICABLE) AND COORDINATE ANTENNA AND ASSOCIATED EQUIPMENT MOUNTING WITH THE SITE CONSTRUCTION MANAGER AND TOWER OWNER.



1 ELEVATION
C3 SCALE: 1/16" = 1'-0"

APPLICANT/OWNER:

T-Mobile
Northeast, LLC

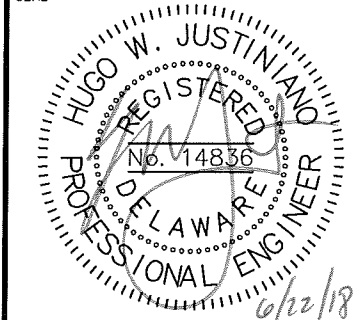
PREPARED BY:

velocitel, llc
complete wireless solutions

200 NORTH WARNER ROAD
SUITE #215
KING OF PRUSSIA, PA 19406
610-992-4101 (MAIN)
610-992-4109 (FAX)

THIS DOCUMENT IS THE CREATION, DESIGN, PROPERTY AND COPYRIGHTED WORK OF T-MOBILE NORTHEAST, LLC. ANY DUPLICATION OR USE WITHOUT EXPRESS WRITTEN CONSENT IS PROHIBITED.

SEAL



IT IS A VIOLATION OF LAW FOR ANY PERSON UNLESS THEY ARE ACTING UNDER THE DIRECTION OF FDH VELOCITEL TO ALTER THIS DOCUMENT, UNLESS EXPLICITLY AGREED TO BY FDH VELOCITEL IN WRITING. THE ENGINEER DISCLAIMS ALL LIABILITY ASSOCIATED WITH THE REUSE, ALTERATION OR MODIFICATION OF THE CONTENTS HEREIN.

REVISIONS

REV	DATE	DESCRIPTION	BY
A	06/21/18	ISSUED FOR ZONING	DMT
0			
1			
2			
3			
4			
5			
6			
7			
8			

PROJECT LOCATION

1PHCL13A
UNIVERSITY OF DELAWARE WATER TANK
304 RESEARCH BOULEVARD
NEWARK, DE 19713

DRAWN BY: DMT

CHECKED BY: HJ

DATE: JUNE 21, 2018

VELOCITEL #:

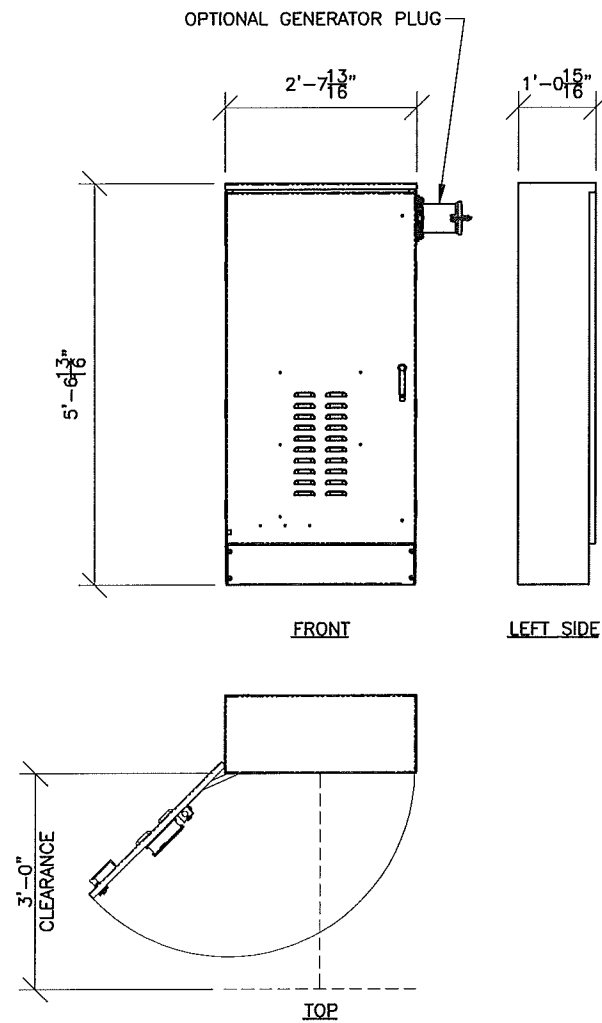
SITE NO. : 1PHCL13A

DRAWING DESCRIPTION:

ELEVATION

DRAWING NUMBER:

C3



PPC CABINET SPECIFICATIONS

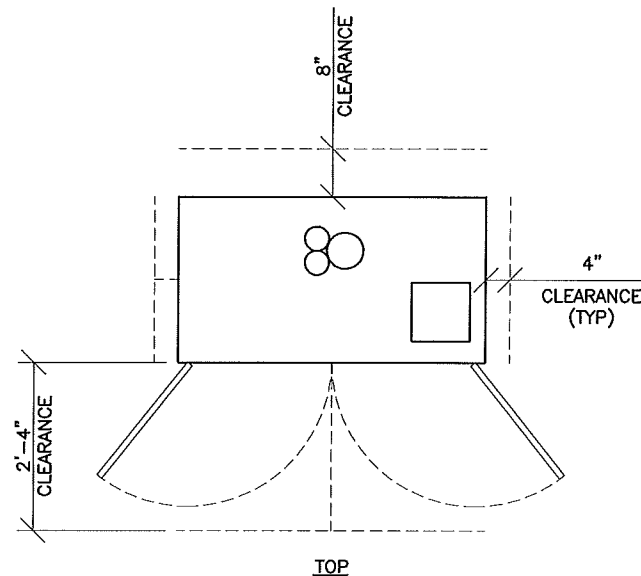
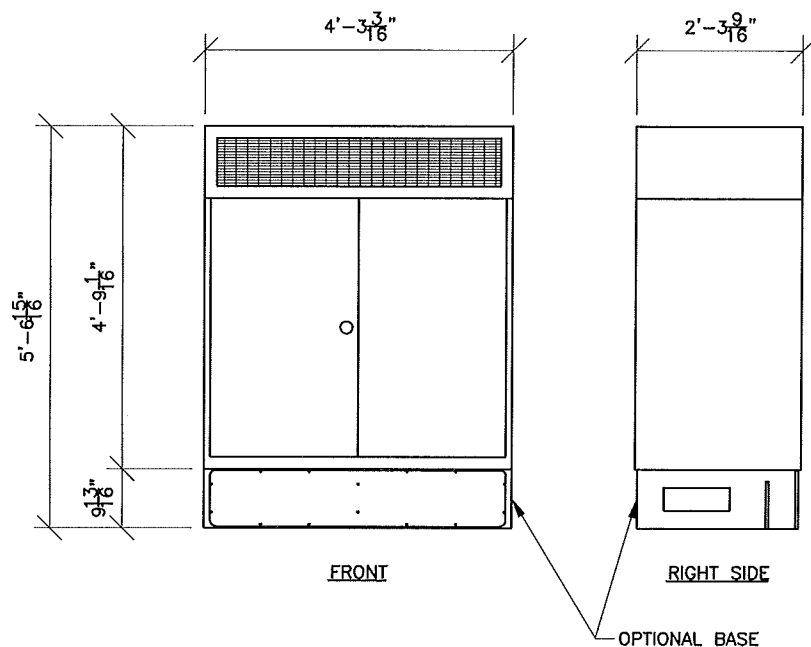
MANUFACTURE: TRANSTECTOR
 MODEL: POWER TRANSFER SWITCH CABINET 1101-791-200

PHYSICAL:
 CABINET TYPE: UL TYPE 3R
 CABINET MATERIAL: 5052-H32 ALUMINUM
 WEIGHT: APPROXIMATELY 150 LBS (68 KG)

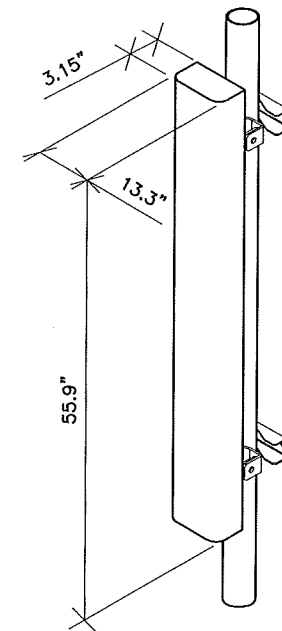
POWER CENTER:
 UL: LISTED TO UL 891
 SERVICE: 120/240V, 1 PHASE, 200 AMP
 GENERATOR & UTILITY BREAKERS: SQUARE D, Q FRAME, 200 AMP
 GENERATOR RECEPTACLE: 200A APPLETON AR20044RS OR 200A APPLETON AR20033RS.
 LOAD CENTER: 200 AMP, 24 POSITION SQUARE D, QO
 QO STYLE BRANCH BREAKERS
 (1) 20A DUAL POLE (TVSS)
 (1) 15A SINGLE POLE (GFCI RECEPTACLE)
 (1) 10A VENTILATION FAN - INCLUDED IF OPTION SELECTED.
 SUPPRESSION: 120/240V TRANSTECTOR MCP120TA-10M SUPPRESSION PRIMARY

TELCO CENTER:
 GROUND: 12 POSITION MASTER COPPER GROUND BAR
 RECEPTACLE: 15A GFCI, DUPLEX

1 TRANSTECTOR PPC CABINET
 C4 SCALE: N.T.S.

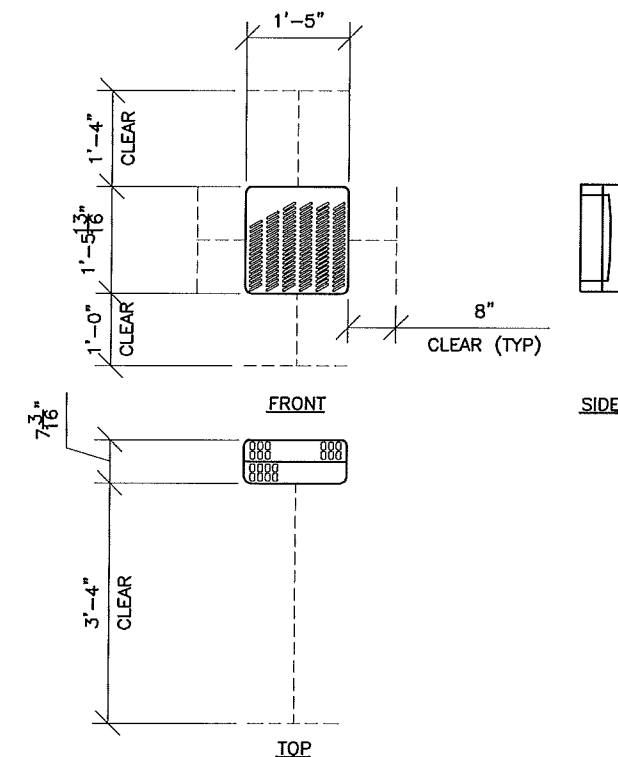


2 ERICSSON 6102 BTS CABINET
 C4 SCALE: N.T.S.



ANTENNA WEIGHT = 40.7 LBS.

3 APX16DWV-16DWS-C ANTENNA DETAIL
 C4 SCALE: N.T.S.



RRU WEIGHT = 50.7 LBS.

4 RRUS-11 DETAIL
 C4 SCALE: N.T.S.

APPLICANT/OWNER:

T-Mobile
 Northeast, LLC

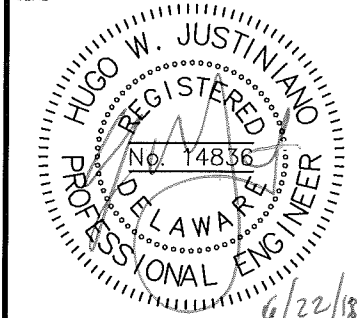
PREPARED BY:

velocitel, llc
 complete wireless solutions

200 NORTH WARNER ROAD
 SUITE #215
 KING OF PRUSSIA, PA 19406
 610-992-4101 (MAIN)
 610-992-4109 (FAX)

THIS DOCUMENT IS THE CREATION, DESIGN, PROPERTY AND COPYRIGHTED WORK OF T-MOBILE NORTHEAST, LLC. ANY DUPLICATION OR USE WITHOUT EXPRESS WRITTEN CONSENT IS PROHIBITED.

SEAL



IT IS A VIOLATION OF LAW FOR ANY PERSON UNLESS THEY ARE ACTING UNDER THE DIRECTION OF FDH VELOCITEL TO ALTER THIS DOCUMENT, UNLESS EXPLICITLY AGREED TO BY FDH VELOCITEL IN WRITING. THE ENGINEER DISCLAIMS ALL LIABILITY ASSOCIATED WITH THE REUSE, ALTERATION OR MODIFICATION OF THE CONTENTS HEREIN.

REVISIONS

REV	DATE	DESCRIPTION	BY
A	06/21/18	ISSUED FOR ZONING	DMT
0			
1			
2			
3			
4			
5			
6			
7			
8			

PROJECT LOCATION

1PHCL13A
 UNIVERSITY OF DELAWARE WATER TANK
 304 RESEARCH BOULEVARD
 NEWARK, DE 19713

DRAWN BY: DMT

CHECKED BY: HJ

DATE: JUNE 21, 2018

VELOCITEL #:

SITE NO. : 1PHCL13A

DRAWING DESCRIPTION:

EQUIPMENT AND ANTENNA DETAILS

DRAWING NUMBER:

C4